

MEGALITE decks and risers systems

# MEGALITE™ RISERS SYSTEM

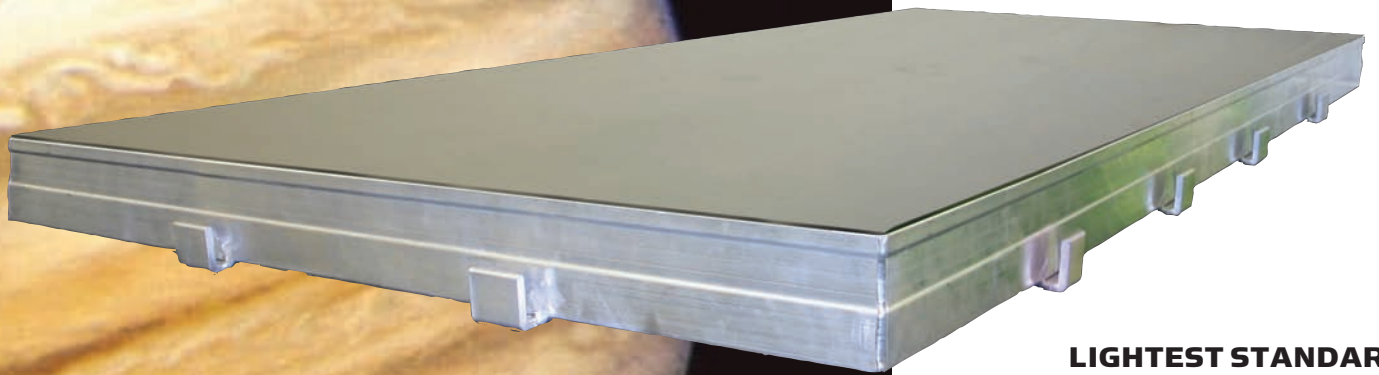
Yet another revolutionary new product by



**Weighs only 106 pounds**

**Supports 100 pounds  
per square foot**

**Made of aluminum  
& select BF fir plywood**



**LIGHTEST STANDARD  
STAGE DECK AVAILABLE**

**EASIEST ASSEMBLY**

**VARIETY OF SIZES  
AND SURFACES**

**SELF-LOCKING**

**USE STANDARD  
HEIGHT ADJUSTABLE LEGS**

**LOWER YOUR  
TRANSPORTATION COSTS**

**GO EASY ON  
YOUR STAGEHANDS**

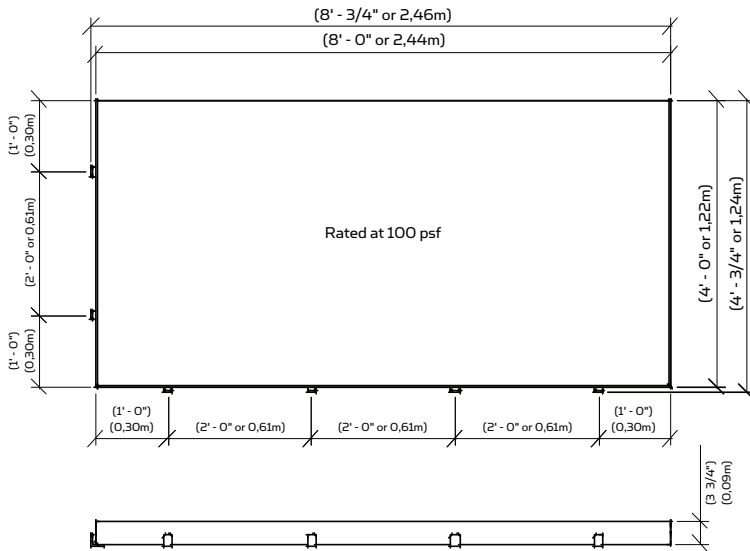
**PRELIMINARY INFO**

INTERNATIONAL SALES:

Mega-Stage Corporate Head Office - 927 Gaudette Street, Industrial Park, Saint-Jean-sur-Richelieu, Qc, Canada J3B 7S7  
1 888 359-4001 Fax: 450 359-4242 Email: info@mega-stage.com www.mega-stage.com

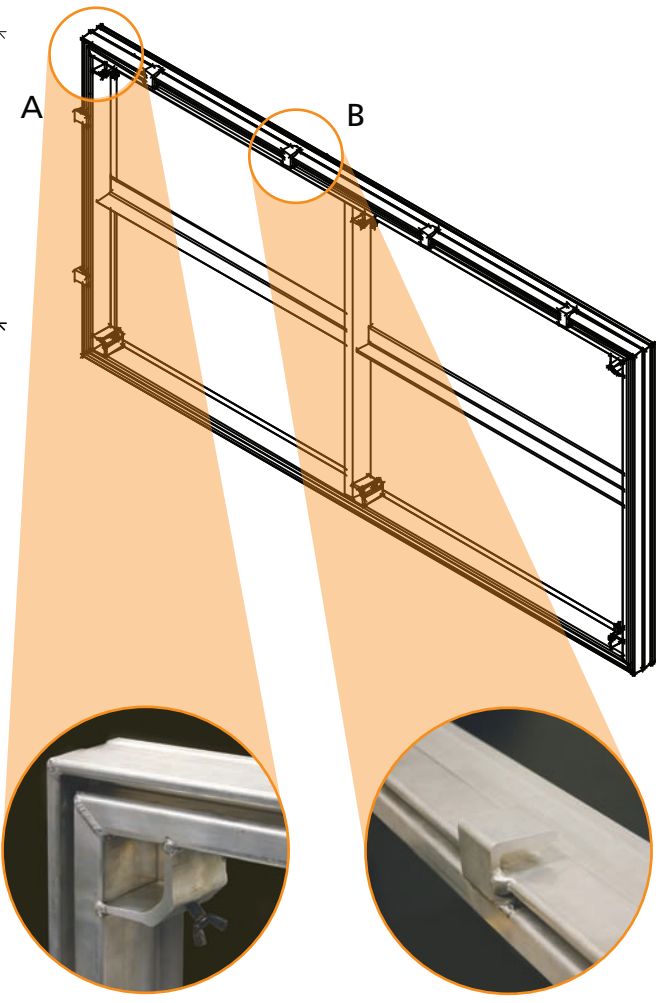
# SP-48

## MEGALITE standard 4' x 8' stage riser



### Riser information

Model	dimensions	Model	dimensions
SP-48	48 in. x 96 in.	SP-44	48 in. x 48 in.
SP-28	24 in. x 96 in.	SP-24	24 in. x 48 in.



Detail A

Detail B

### STEP 1

Insert the legs into the MEGALITE platform and lock them.

### STEP 2

Position the platform along the perimeter of the stage or deck to be extended and lower it. No rotolock or fastener needed.

### STEP 3

Repeat with the next platform.



### INTERNATIONAL SALES:

Mega-Stage Corporate Head Office - 927 Gaudette Street, Industrial Park, Saint-Jean-sur-Richelieu, Qc, Canada J3B 7S7  
 1 888 359-4001 Fax: 450 359-4242 Email: info@mega-stage.com www.mega-stage.com